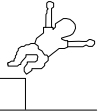


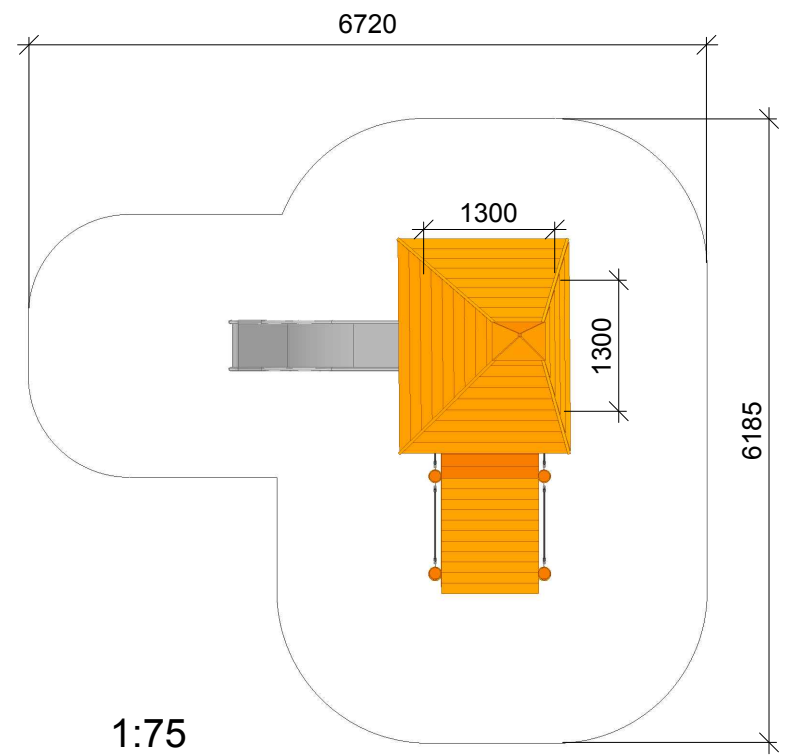
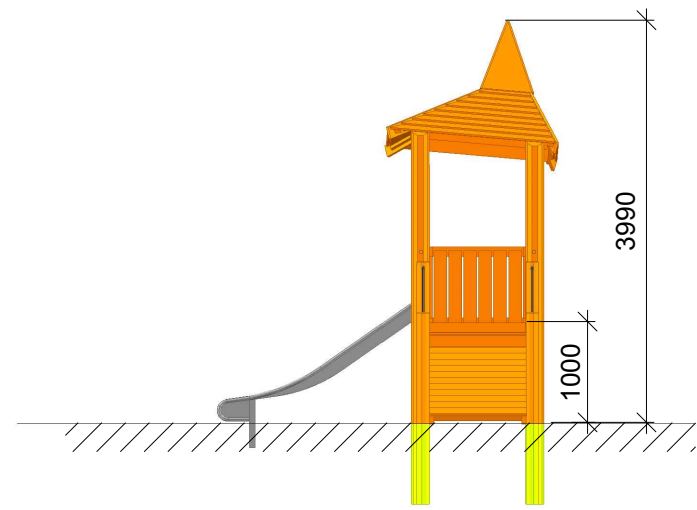
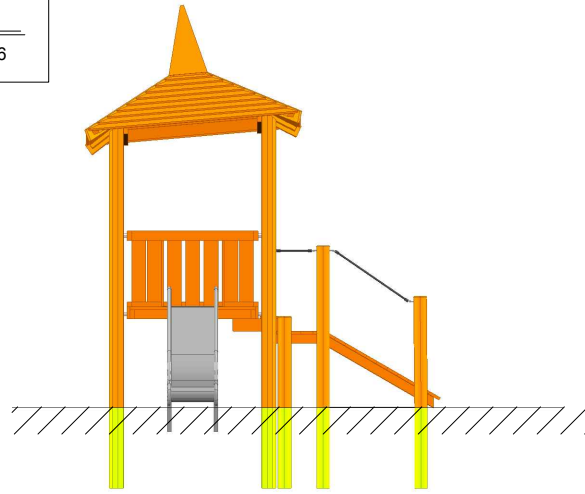
NORLEG	
Legehus med heksetag	
Z13069 - (LE20109)	
11.06.2018	REV. -

< 1000



≥ EN 1176

Ijlander rev. 6670



1:75

NORLEG - 3D

Legehus med heksetag

Z13069 - (LE20109)

11.06.2018

REV. -



NORLEG - 3D

Legehus med heksetag

Z13069 - (LE20109)

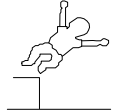
11.06.2018

REV. -

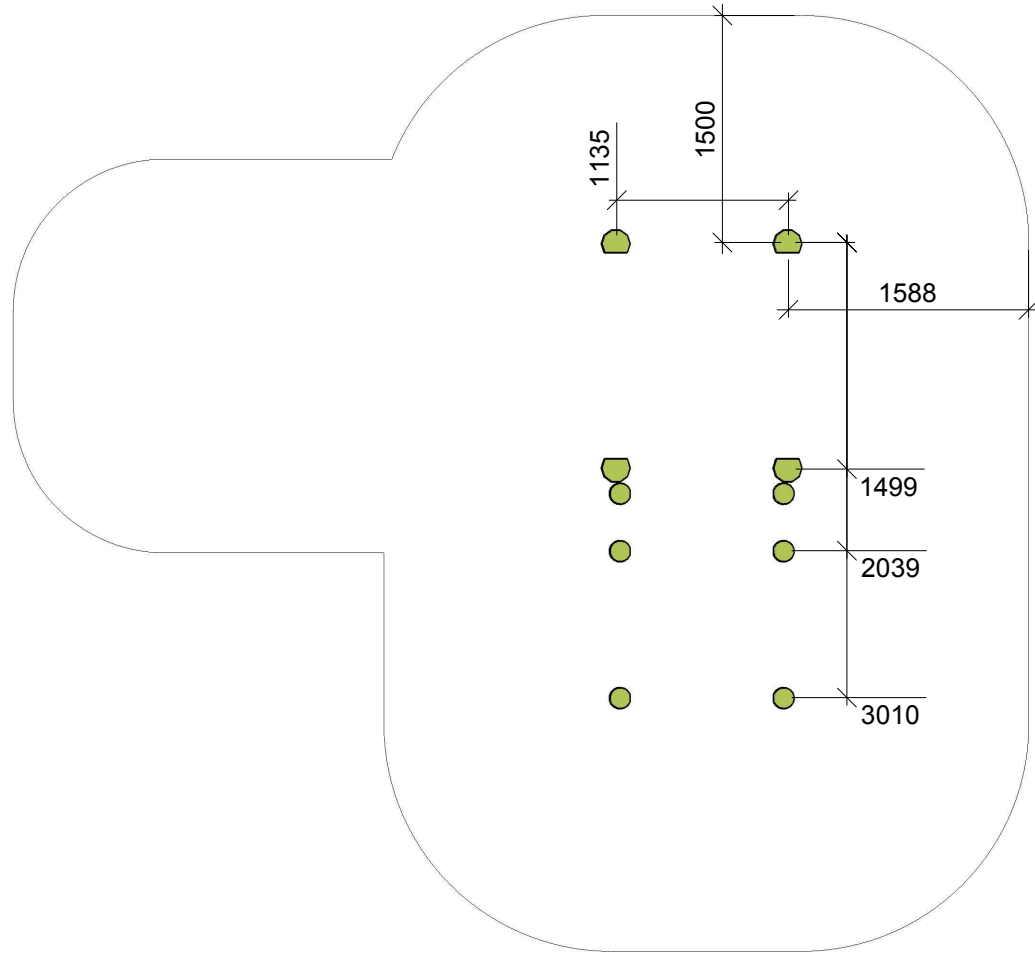


NORLEG - Mont.	
Legehus med heksetag	
Z13069 - (LE20109)	
11.06.2018	REV. -

< 1000




≥ EN 1176



This drawing is the property of NORLEG and pursuant to current legislation may not be copied, transferred to or used by any third party. Should this drawing be used, a fee of 10% of the assumed contract price will be charged.

NORLEG - Mont.	
Legehus med heksetag	
Z13069 - (LE20109)	
11.06.2018	REV. -

< 1000



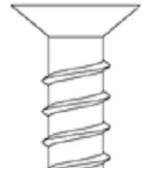
≥ EN 1176

By assembly. Drilling and use of saw must be expected.

Dh = Disk head

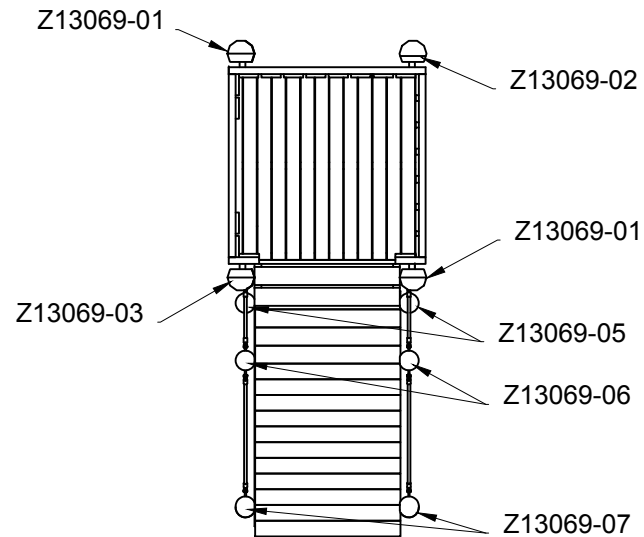
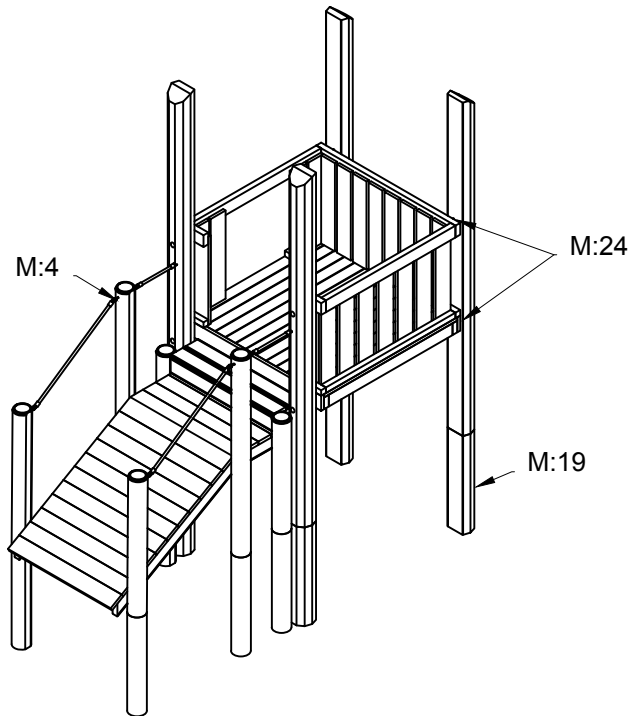
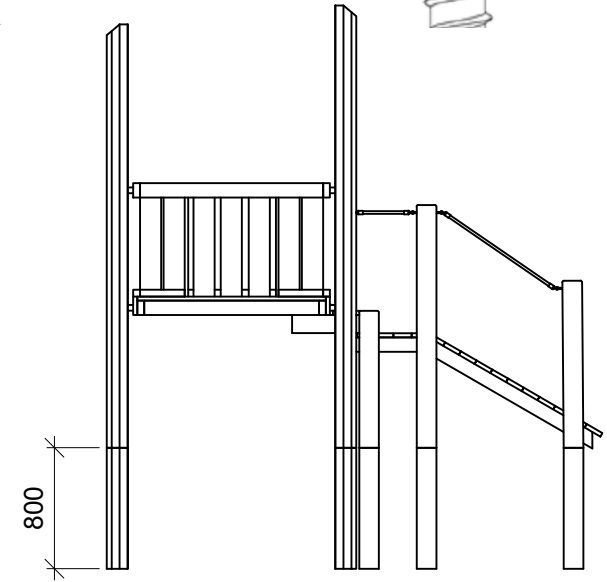
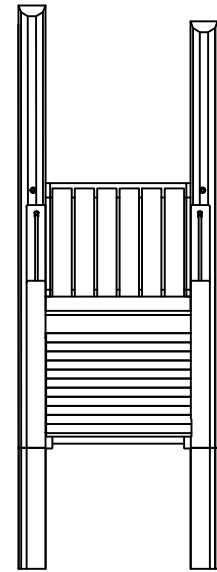


Ch = Countersunk head



Mont.p. nr.

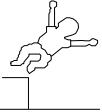
- 4
- 19
- 24



This drawing is the property of NORLEG and pursuant to current legislation may not be copied, transferred to or used by any third party. Should this drawing be used, a fee of 10% of the assumed contract price will be charged.

NORLEG - Mont.	
Legehus med heksetag	
Z13069 - (LE20109)	
11.06.2018	REV. -

< 1000



≥ EN 1176

By assembly. Drilling and use of saw must be expected.

Dh = Disk head

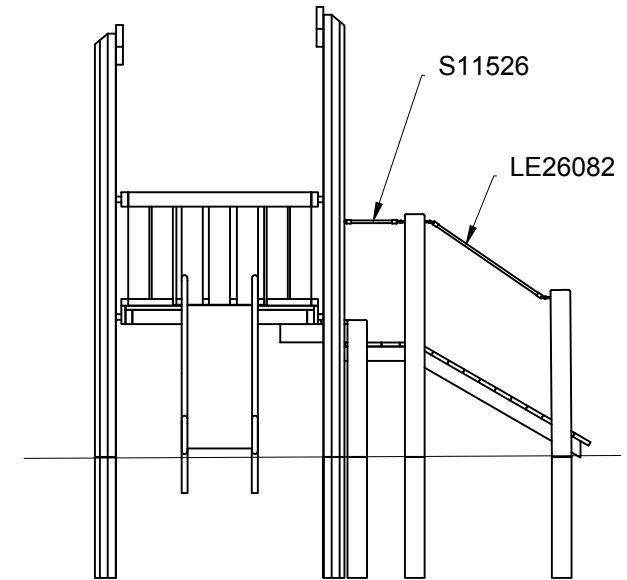
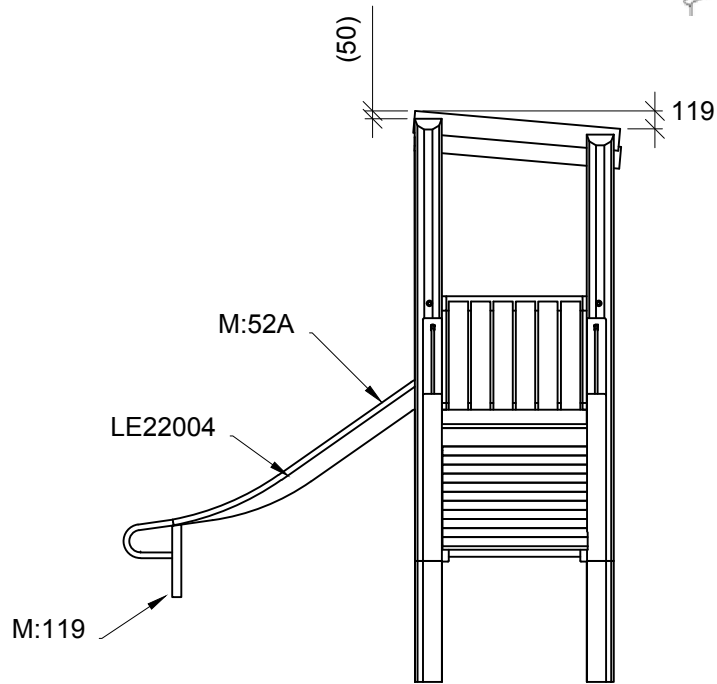
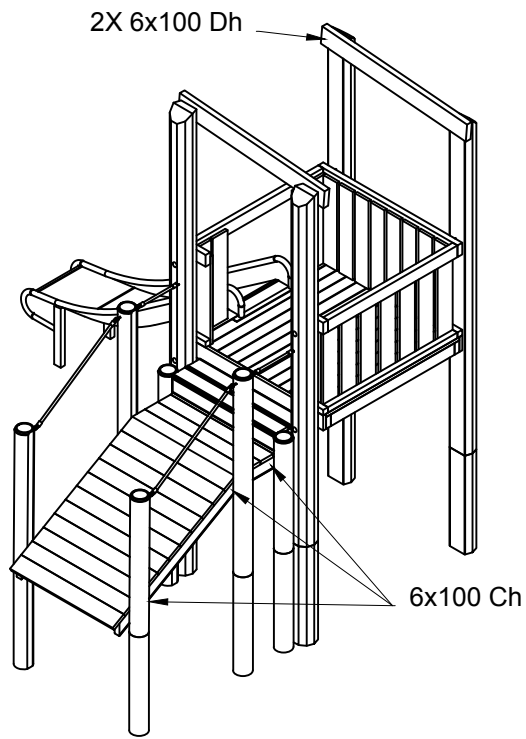


Ch = Countersunk head




Mont.p. nr.

52A
119



NORLEG - Mont.	
Legehus med heksetag	
Z13069 - (LE20109)	
11.06.2018	REV. -

< 1000



≥ EN 1176

By assembly. Drilling and use of saw must be expected.

Dh = Disk head



Ch = Countersunk head

