

2



4h



20 m²



5,52 x 5,06 x 1,9 m



~349 kg



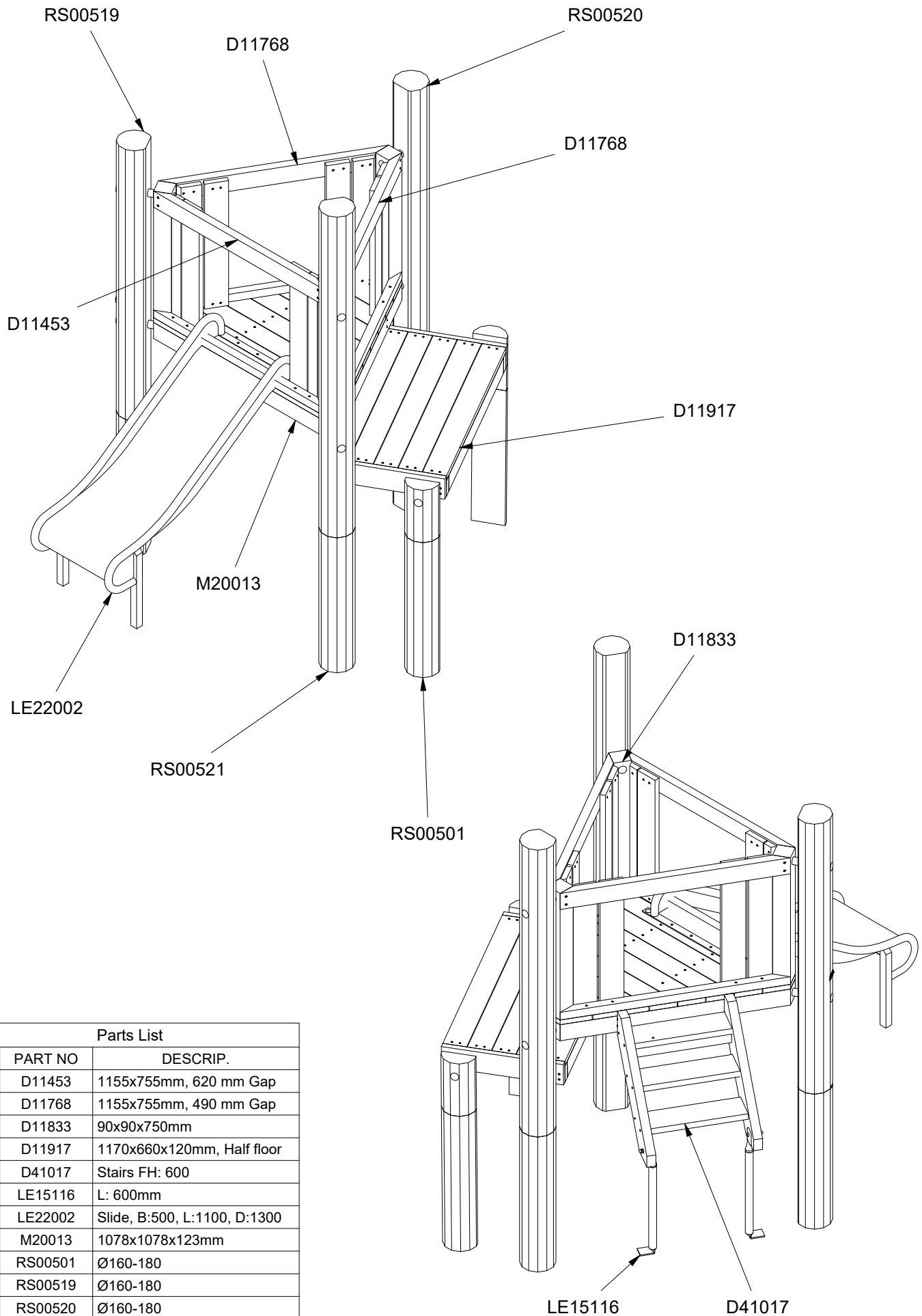
>C25



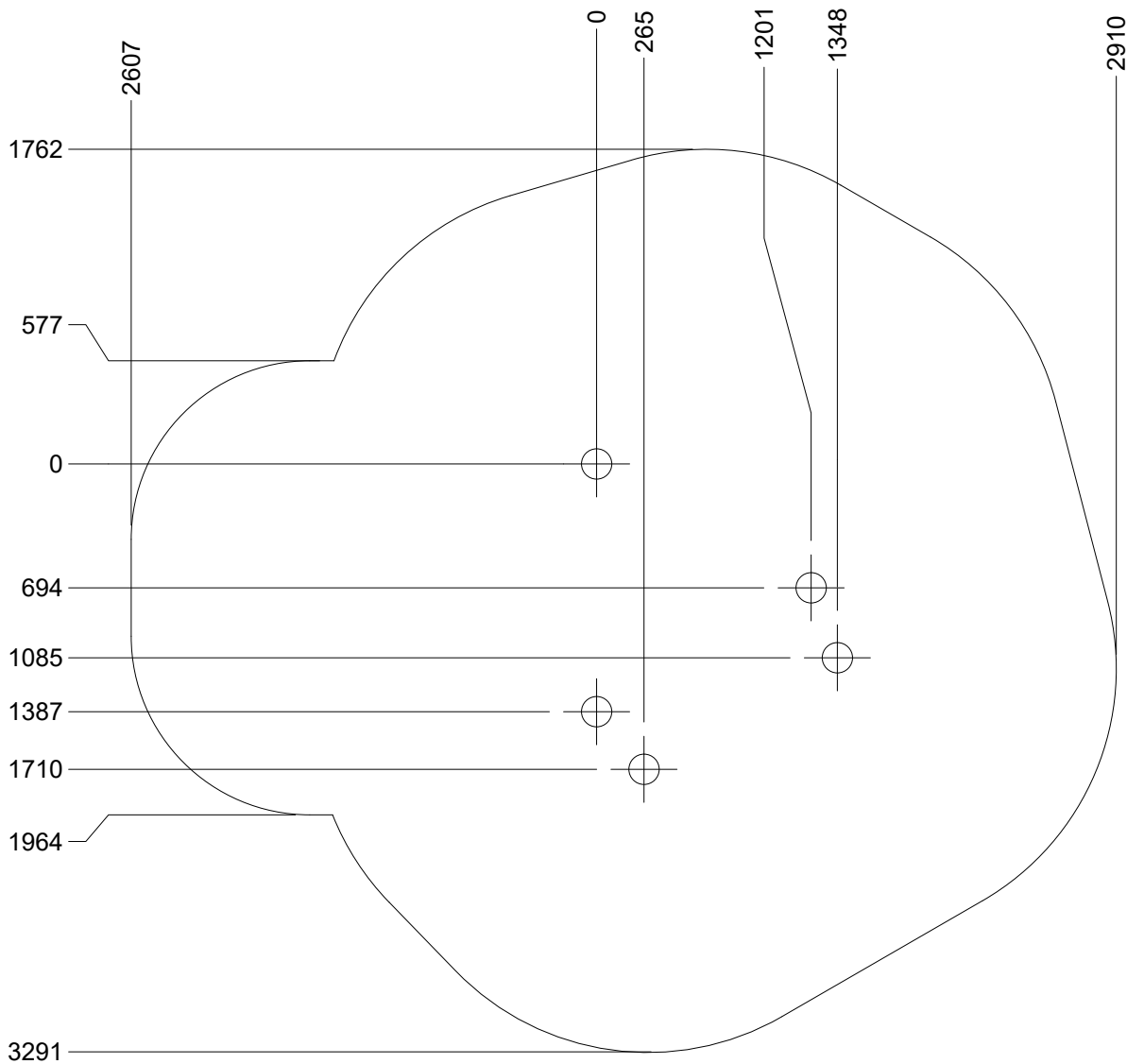
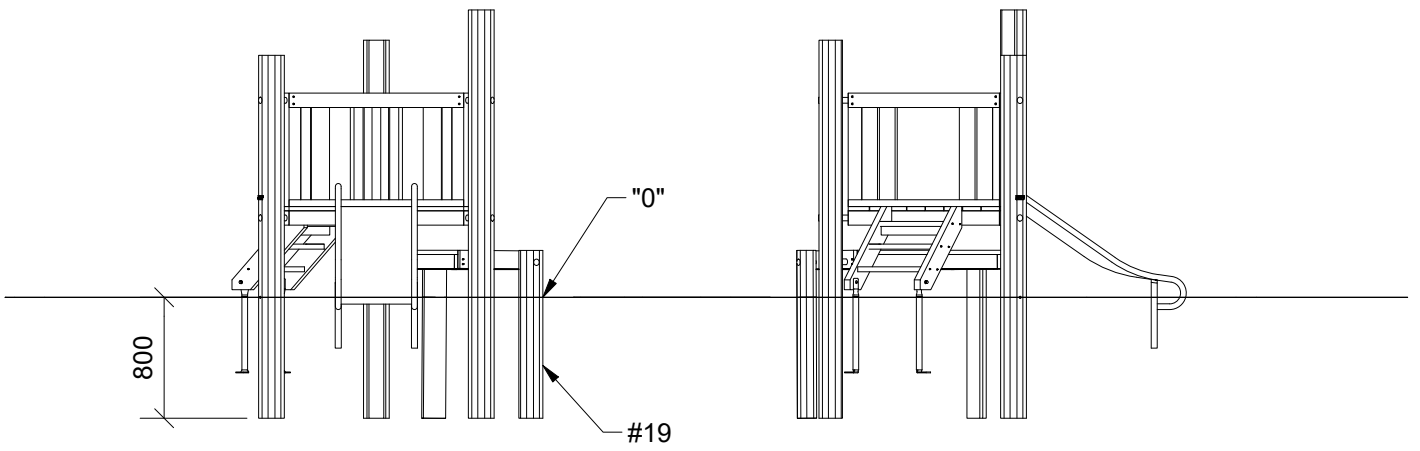
Ø16-18x2700 cm

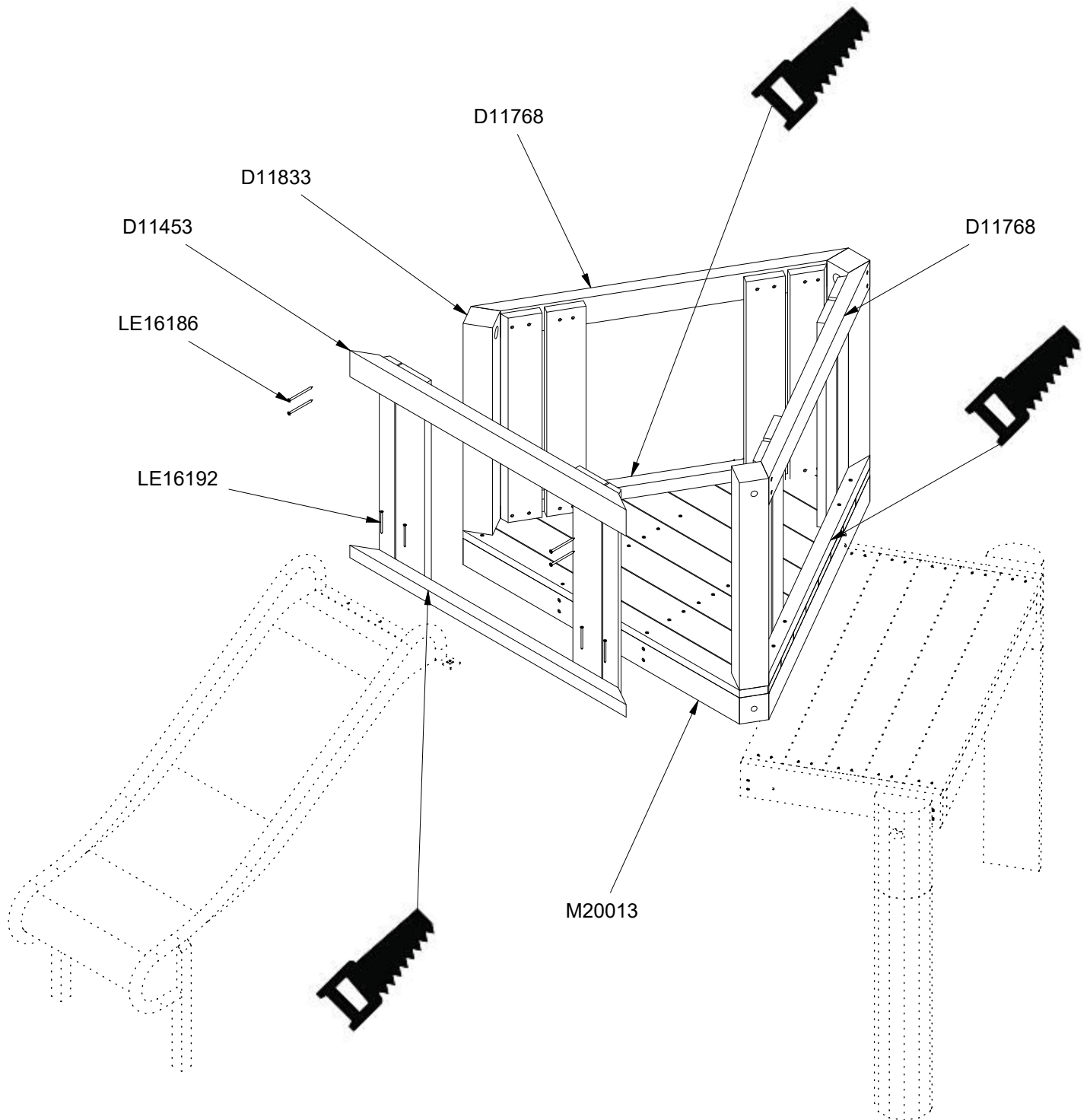


60,7 kg

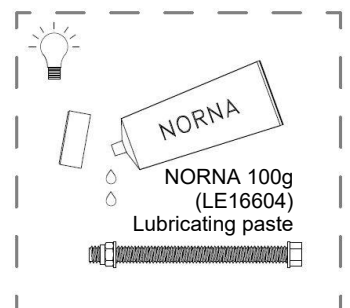


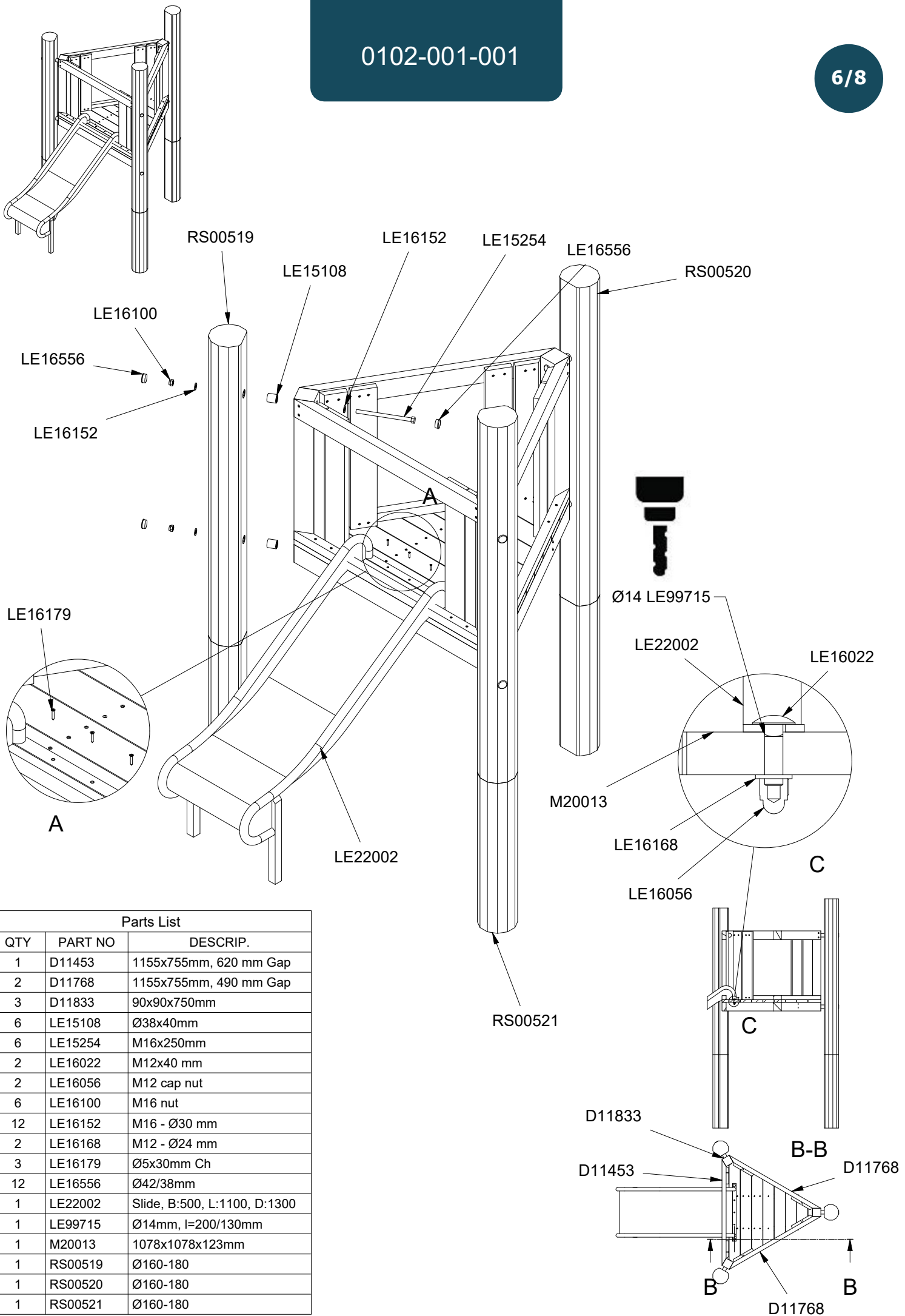
| Parts List | | |
|------------|---------|------------------------------|
| QTY | PART NO | DESCRIP. |
| 1 | D11453 | 1155x755mm, 620 mm Gap |
| 2 | D11768 | 1155x755mm, 490 mm Gap |
| 3 | D11833 | 90x90x750mm |
| 1 | D11917 | 1170x660x120mm, Half floor |
| 1 | D41017 | Stairs FH: 600 |
| 2 | LE15116 | L: 600mm |
| 1 | LE22002 | Slide, B:500, L:1100, D:1300 |
| 1 | M20013 | 1078x1078x123mm |
| 2 | RS00501 | Ø160-180 |
| 1 | RS00519 | Ø160-180 |
| 1 | RS00520 | Ø160-180 |
| 1 | RS00521 | Ø160-180 |



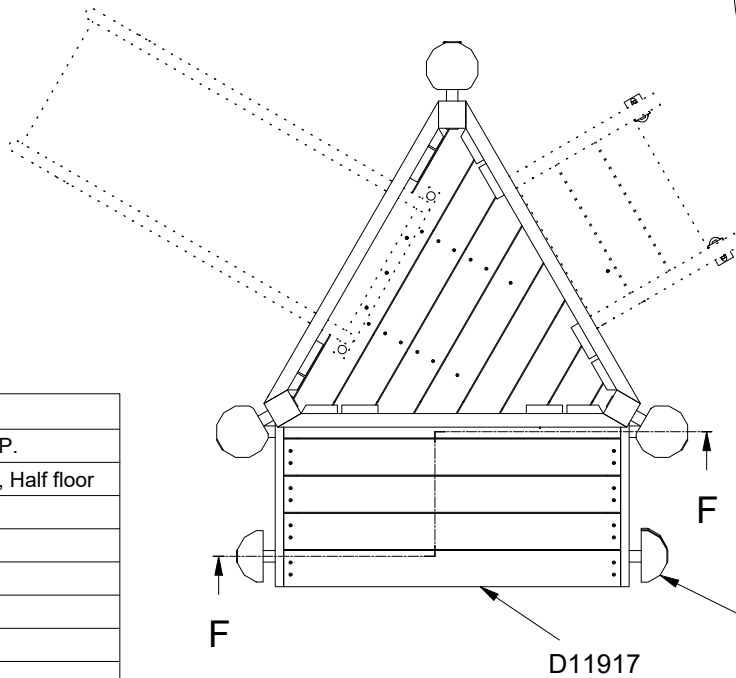
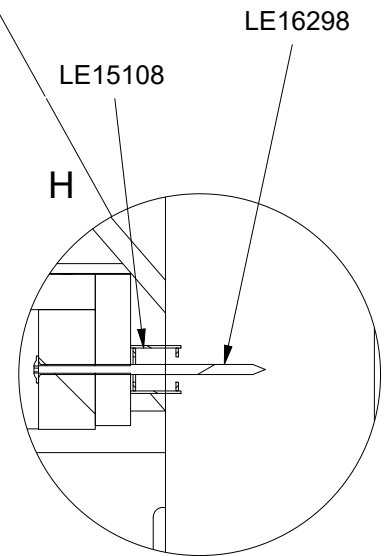
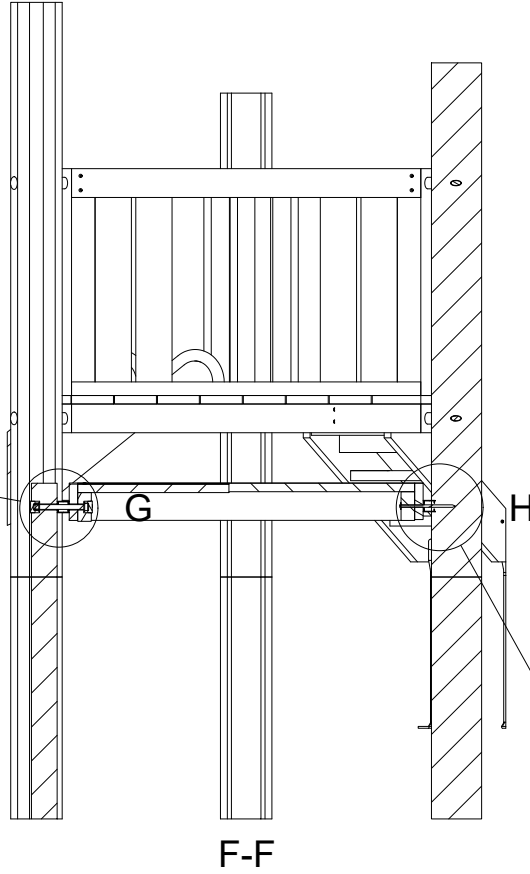
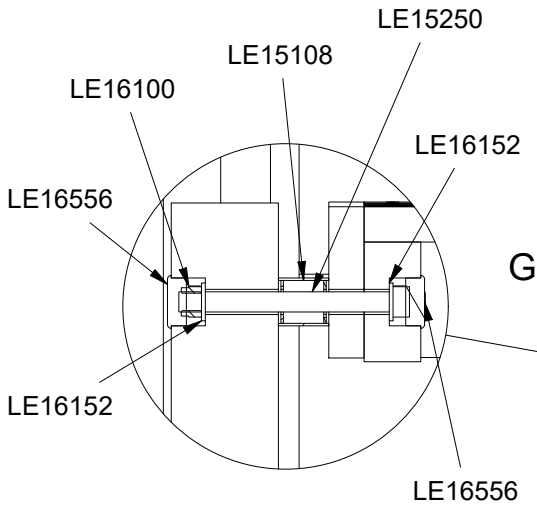
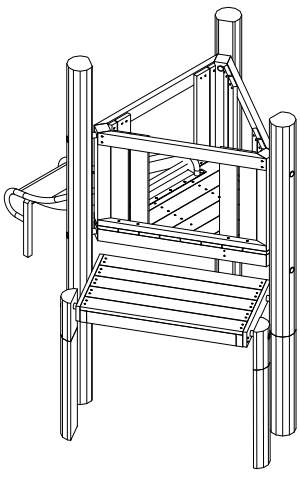


| Parts List | | |
|------------|---------|------------------------|
| QTY | PART NO | DESCRIP. |
| 1 | M20013 | 1078x1078x123mm |
| 3 | D11833 | 90x90x750mm |
| 2 | D11768 | 1155x755mm, 490 mm Gap |
| 1 | D11453 | 1155x755mm, 620 mm Gap |
| 12 | LE16192 | 5x80mm |
| 12 | LE16186 | 6x100 Ch |

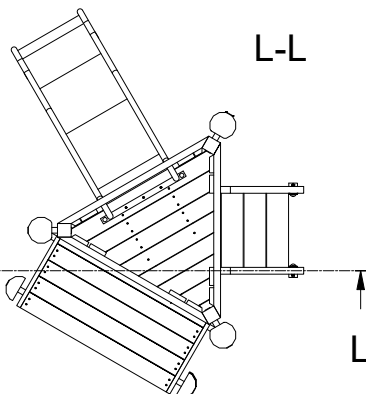
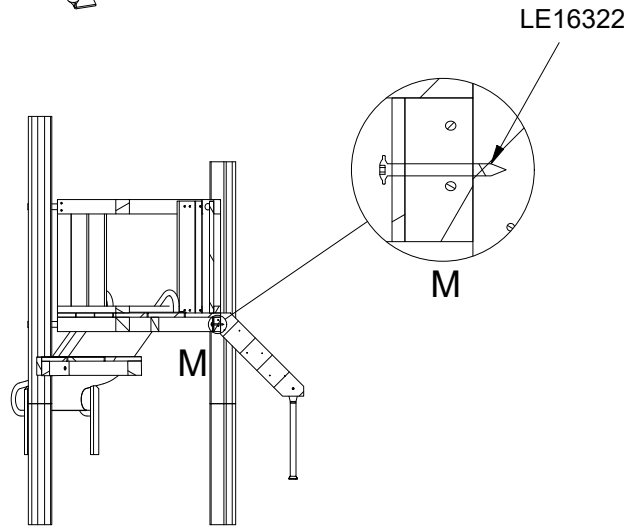
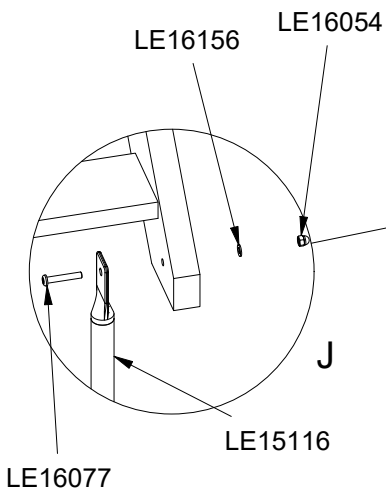
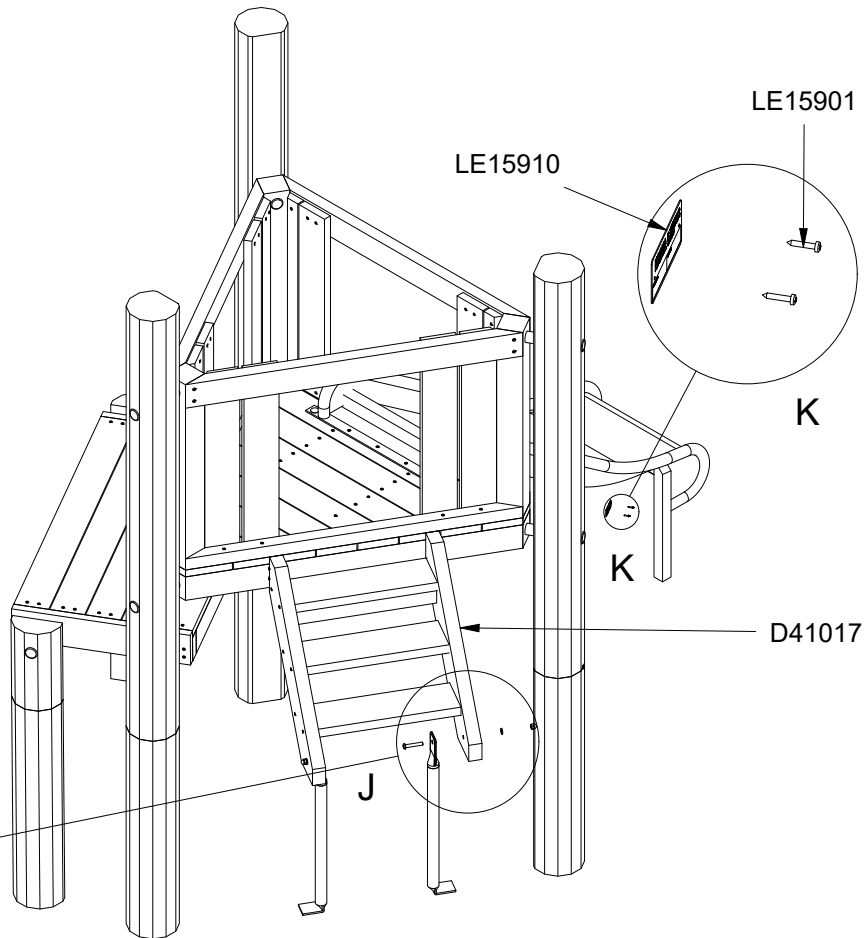
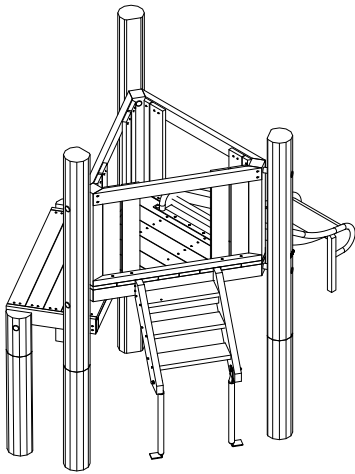




| Parts List | | |
|------------|---------|------------------------------|
| QTY | PART NO | DESCRIP. |
| 1 | D11453 | 1155x755mm, 620 mm Gap |
| 2 | D11768 | 1155x755mm, 490 mm Gap |
| 3 | D11833 | 90x90x750mm |
| 6 | LE15108 | Ø38x40mm |
| 6 | LE15254 | M16x250mm |
| 2 | LE16022 | M12x40 mm |
| 2 | LE16056 | M12 cap nut |
| 6 | LE16100 | M16 nut |
| 12 | LE16152 | M16 - Ø30 mm |
| 2 | LE16168 | M12 - Ø24 mm |
| 3 | LE16179 | Ø5x30mm Ch |
| 12 | LE16556 | Ø42/38mm |
| 1 | LE22002 | Slide, B:500, L:1100, D:1300 |
| 1 | LE99715 | Ø14mm, l=200/130mm |
| 1 | M20013 | 1078x1078x123mm |
| 1 | RS00519 | Ø160-180 |
| 1 | RS00520 | Ø160-180 |
| 1 | RS00521 | Ø160-180 |



| Parts List | | |
|------------|---------|----------------------------|
| QTY | PART NO | DESCRIP. |
| 1 | D11917 | 1170x660x120mm, Half floor |
| 4 | LE15108 | Ø38x40mm |
| 2 | LE15250 | M16x170 mm |
| 2 | LE16100 | M16 nut |
| 4 | LE16152 | M16 - Ø30 mm |
| 2 | LE16298 | 8x180/80 Dh |
| 5 | LE16556 | Ø42/38mm |
| 2 | RS00501 | Ø160-180 |



| Parts List | | |
|------------|---------|--------------------|
| QTY | PART NO | DESCRIP. |
| 1 | D41017 | Stairs FH: 600 |
| 2 | LE15116 | L: 600mm |
| 2 | LE15901 | 3x16, PH |
| 1 | LE15910 | Name tag |
| 2 | LE16054 | M10 cap nut |
| 2 | LE16077 | Buttonhead 10x60mm |
| 2 | LE16156 | M10-Ø20 |
| 2 | LE16322 | Ø8x80 Dh |